



280 TJ

Working height27.75 m
Platform floor height.....25.75 m
Max. outreach21.45 m
Jib movements+70°/-70°
Basket rotation.....+90°/-90°
Turret rotationcontinuous

Capacity350 kg (3 pers.) or 240 kg (2 pers.)
Maximum allowed wind speed.....45 kph
Basket size.....2.30 x 0.90 m

① **Width** (overall width with basket).....2.43 m
 ② **Length**11.35 m
 ③ **Length** (Travel/transport)8.04 m
 ④ **Height**2.75 m
 ⑤ **Height** (Travel/transport)2.72 m

⑥ **Inside turning radius**2.00 m
 ⑦ **Outside turning radius**4.33 m
 ⑧ **Outside turning radius with basket**9.75 m
 ⑨ **Ground clearance**43 cm
 ⑩ **Wheelbase**2.80 m
Working speed0.80 kph
Maximum travel speed.....4.70 kph

Heat engine
 KUBOTA V2403M45 HP

Gradeability on rough terrain40%
Max. slope accepted.....4°

Hydraulic tank94 l
Diesel tank78 l

Tyres385/45-28
 4 wheel drive/4 wheel steer/crab steer

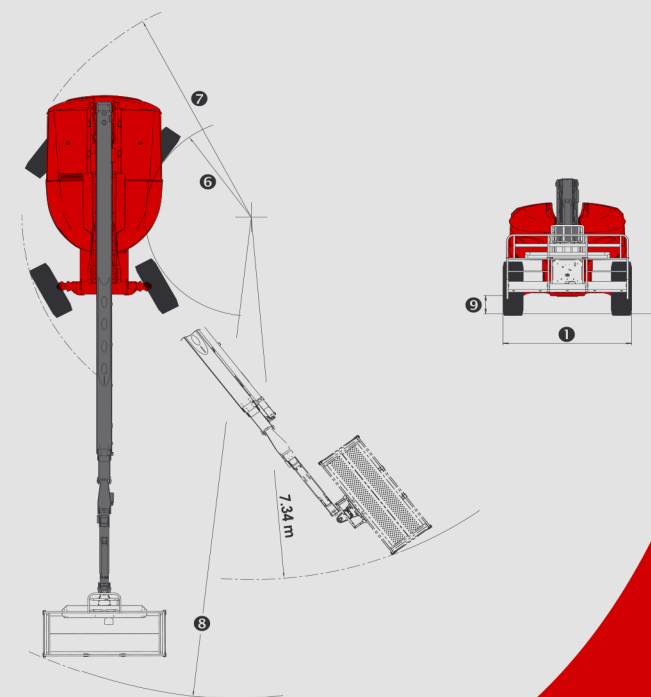
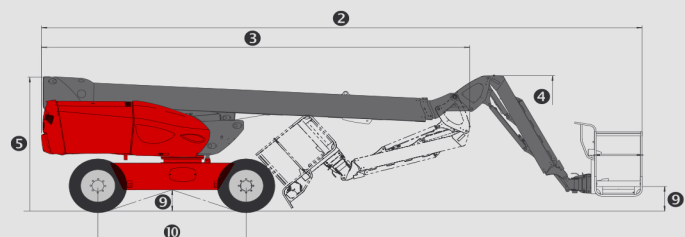
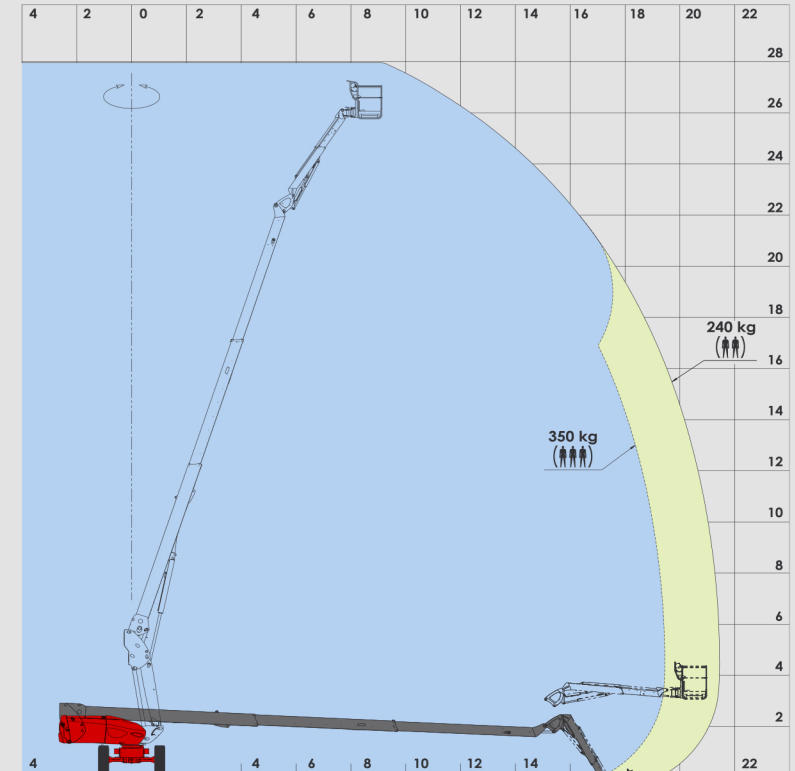
Weight16500 kg

Standard equipment

- Oscillating axle
- Continuous rotation
- Large basket
- Proportional controls
- 4 simultaneous movements
- Foam filled tyres
- Differential lock
- Limited-slip front axle
- Diagnostic-calibrator
- Hourmeter
- Low-fuel indicator
- Horn
- Flashing beacon
- Audible and visual tilt and overload alarms
- Slope over ride
- Lifting eyes
- Electric emergency pump
- Prefitted for 230 V
- Dead man's pedal
- 1 tool tray
- Protective cover (lockable)

Options

- On-board generator (5.5 kVA)
- 230 V outlet with residual current device



This brochure describes versions and configuration options for Manitou products which may be fitted with different equipment. The equipment described in this brochure may be standard, optional or not available depending on version. Manitou reserves the right to change the specifications shown and described at any time and without prior warning. The manufacturer is not liable for the specifications given. For more information, contact your Manitou dealer. Non-contractual document. Product descriptions may differ from actual products. List of specifications is not comprehensive. The logos and visual identity of the company are the property of Manitou and may not be used without authorisation. All rights reserved. The photos and diagrams contained in this brochure are provided for information only.

MANITOU BF SA - Limited company with board of directors - Share capital: 39,547,824 euros - 857 802 508 RCS Nantes