



D 150 AHG



www.ausa.com

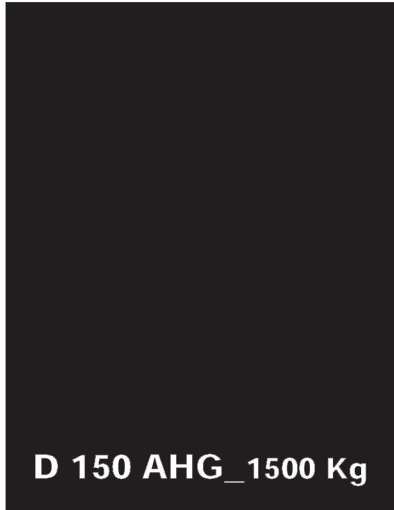
AUSA Center, S.L. ● Ctra. de Vic, Km 2.8 - P.O.B. 194. 08243 Manresa - BARCELONA (ESPAÑA) Tel.: +34 93 874 73 11 - E-mail: ausa@ausa.com



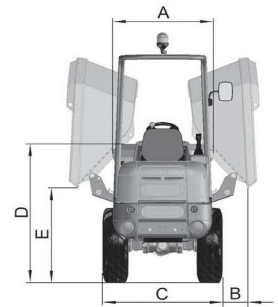
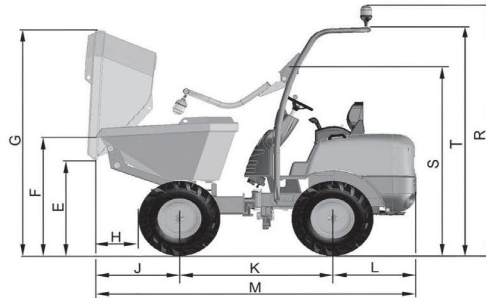
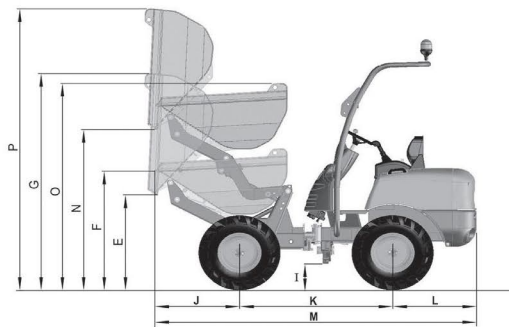
AUSA Madrid ● Pol. Ind. Coslada - C. Marconi 15-17. 28823 Coslada - MADRID (ESPAÑA) Tel.: +34 91 669 00 06 - E-mail: ausa.madrid@ausa.com
AUSA France ● Z. I. Saint Charles - Rue de Zürich, 66000 PERPIGNAN (FRANCE) Tel.: +33 (0) 4 68 54 38 97 - E-mail: ausa.france@ausa.com
AUSA Deutschland ● Heinrich - Welken Str. 5. 59069 HAMM (GERMANY) Tel.: +49 (0) 2384-9889905 - E-mail: ausa.deutschland@ausa.com
BEIJING Rep. Office ● Address Room 527. HengXiang Building, Tuanjiehu Nanli, Chaoyang District. - BEIJING 100026 (CHINA)
 Tel.: 86-10-8597 1983 - Fax: 86-10-8597 1993 - E-mail: ausa.china@ausa.com

AUSA UK ● Tel.: 07970639988 - E-mail: ausa.uk@ausa.com

(Sede central AUSA-Manresa)



DIMENSIONS (mm)	D 150 AHG
A	1391
B	100
C	1450
D	1500
E	1030
F	1275
G	2525
H	435
I	275
J	820
K	1600
L	820
M	3240
N	-
O	-
P	-
R	2600
S	2015
T	2450



TECHNICAL SPECIFICATIONS

		D 150 AHG
Load capacity (Kg)		1500
Unloading system		Hydraulic, 180° rotating
Chassis		Articulated +/- 35° and oscillating +/- 13°
Hopper capacities (l)	Water	520
	Levelled	626
	Heaped	835
Engine		Kubota D1105
	Power acc./SAE J 1995 (KW/CV)	16,8 KW / 22,8 CV (2700 rpm)
	N° of Cylinders	3
	Cooling system	Water
Traction		4 x 4 permanent
Transmission		Hydrostatic with variable flow pump automatic regulation. Forward and reverse control on the joystick.
Engine starting system		Electric
Speed (max.) (Km/h)		14
Axles		Axles with planetary wheel reduction
Unladen weight (Kg)		1510
Gradeability		40%
Hydraulic circuit		Gear pump of 8 cc. Working pressure 210 bar.
Tyres	Standard	10.0/75-15.3"
	Optional	-
External turning radius (mm)		3060
Steering		Hydraulic
Tank capacity (l)	Fuel	23
	Hydraulic fluid	21.2
Service and parking brake		Sealed oil-immersed, multidisc, mechanically operated
STANDARD EQUIPMENT		Anti vandal system Ergonomic with safety belt Joystick ROPS Rotating beacon Rear view mirror Audible reverse warning (Std. UK)
OPTIONAL EQUIPMENT		Great confort seat FOPS overhead guard Homologated lighting equipment Metal engine canopy Towing hitch

AUSA reserves the right to make any changes in the specifications without prior notice.