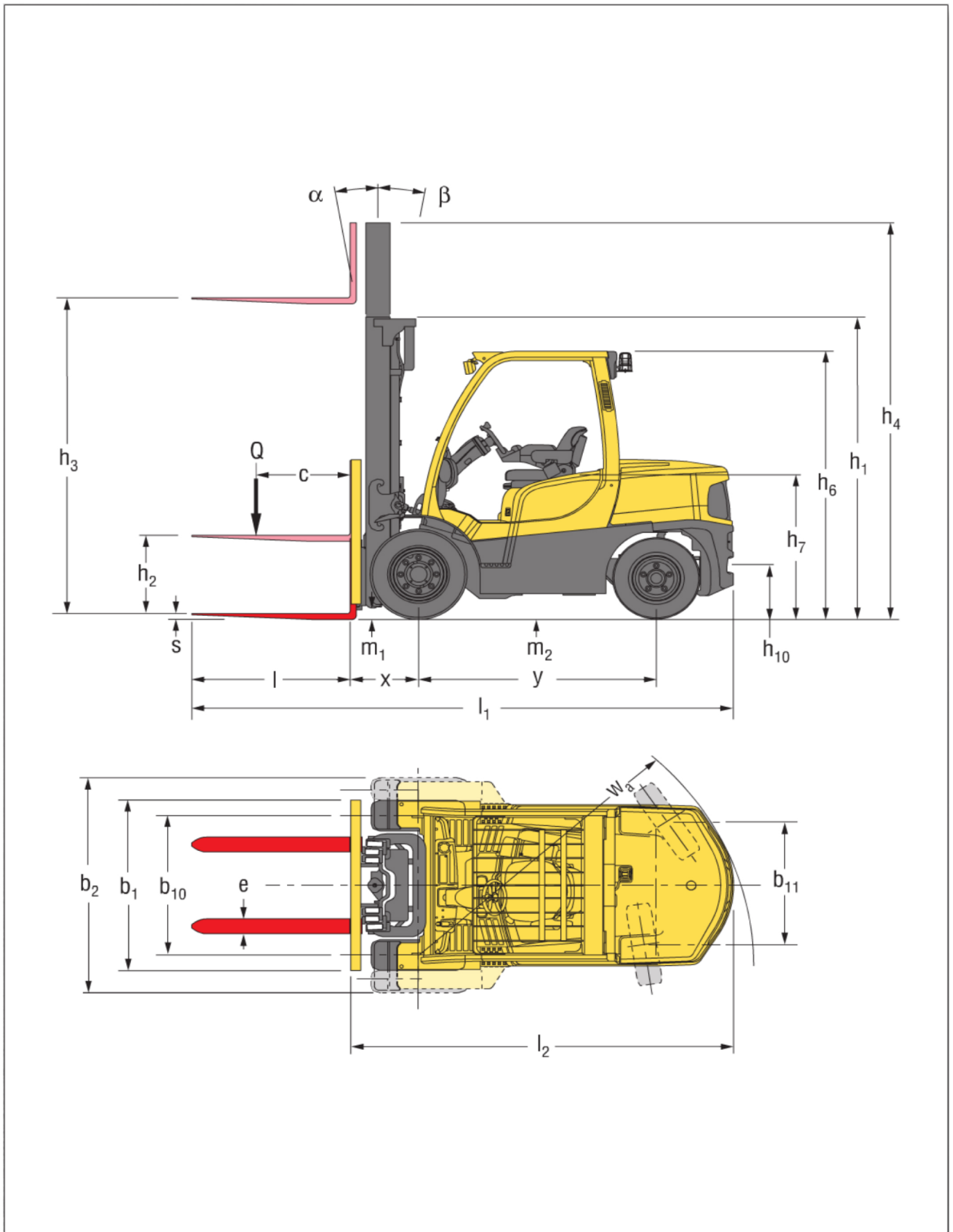




## H5.5FT FORTENS ADVANCE

|             |  |  |   |      |                                |
|-------------|--|--|---|------|--------------------------------|
| GENERAL     | 1-1  | Manufacturer   |   |      | HYSTER                         |
|             | 1-2  | Model designation  |   |      | H5.5FT                         |
|             |  | Model  |   |      | Fortens Advance                |
|             |  | Engine / transmission                                    |   |      | Kubota 3.8L DuraMatch™ 1-speed |
|             |  | Brake type   |   |      | Premium Oil Immersed Brakes    |
|             | 1-3  | Drive  |   |      | Diesel                         |
|             | 1-4  | Operator type  |   |      | Seated                         |
|             | 1-5  | Rated capacity/rated load                                | Q <sub>1</sub>                                  | t    | 5.5                            |
|             | 1-6  | Load centre distance                                     | c   | mm   | 600                            |
|             | 1-8  | Load distance, centre of drive axle to fork              | x   | mm   | 591                            |
| 1-8-1       | Load distance, centre of drive axle to fork (ISS Carriage) | x  | mm  | 608  |                                |
| 1-9         | Wheelbase  | y  | mm  | 2100 |                                |
| WEIGHT      | 2-1  | Service weight   |   | kg   | 7811                           |
|             | 2-2-1  | Axle loading with load, front / rear                     |   | kg   | 11754   1558                   |
|             | 2-3-1  | Axle loading without load, front / rear                  |   | kg   | 3134   4677                    |
| WHEELS      | 3-1  | Tyre type  |   |      | Superelastic                   |
|             | 3-2  | Tyre size, front   |   |      | 300x15                         |
|             | 3-3  | Tyre size, front   |   |      | 28x9-15                        |
|             | 3-5  | Wheels, number front / rear (x = driven wheels)          |   |      | 2x / 2                         |
|             | 3-6  | Tread, front   | b <sub>10</sub>                                 | mm   | 1150                           |
|             | 3-7  | Tread, rear  | b <sub>11</sub>                                 | mm   | 1162                           |
|             | DIMENSIONS   | 4-1  | Tilt of mast / fork carriage forward / backward |      | (°)                            |
| 4-2         |  | Height, mast lowered                                     | h <sub>1</sub>                                  | mm   | 2215                           |
| 4-3         |  | Free lift (1)  | h <sub>2</sub>                                  | mm   | 100                            |
| 4-4         |  | Lift (1)   | h <sub>3</sub>                                  | mm   | 2740                           |
| 4-5         |  | Height, mast extended (2)                                | h <sub>4</sub>                                  | mm   | 3730                           |
| 4-7         |  | Height of overhead guard (cabin)                         | h <sub>6</sub>                                  | mm   | 2300                           |
| 4-8         |  | Seat height relating to SIP (3)                          | h <sub>7</sub>                                  | mm   | 429                            |
| 4-12        |  | Coupling height  | h <sub>10</sub>                                 | mm   | 4457                           |
| 4-19        |  | Overall length   | l <sub>1</sub>                                  | mm   | 4541                           |
| 4-20        |  | Length to face of forks (Standard Carriage)              | l <sub>2</sub>                                  | mm   | 3341                           |
| 4-20-1      |  | Length to face of forks (Integrated Side Shift Carriage) | l <sub>2</sub>                                  | mm   | 3358                           |
| 4-21        |  | Overall width  | b <sub>1</sub> ,b <sub>2</sub>                  | mm   | 1450 / 1575 / 1875             |
| 4-22        |  | Fork dimensions DIN ISO 2331                             | s/e/l   | mm   | 60 x 150 x 1200                |
| 4-23        |  | Fork carriage ISO 2328, class/type A, B                  |   | mm   | IVA                            |
| 4-24        |  | Fork carriage width (Standard Carriage) (4)              | b <sub>3</sub>                                  | mm   | 1219                           |
| 4-24        |  | Fork carriage width (ISS Carriage) (4)                   | b <sub>3</sub>                                  | mm   | 1372                           |
| 4-31        |  | Ground clearance, laden, below mast                      | m <sub>1</sub>                                  | mm   | 194                            |
| 4-32        |  | Ground clearance, centre of wheelbase                    | m <sub>2</sub>                                  | mm   | 237                            |
| 4-34-1      |  | Aisle width for pallets 1000 × 1200 crossways (5)        | A <sub>st</sub>                                 | mm   | 4906                           |
| 4-34-4      |  | Aisle width for pallets 800 × 1200 crossways (5)         | A <sub>st</sub>                                 | mm   | 4906                           |
| 4-35        | Turning radius   | W <sub>a</sub>   | mm  | 2915 |                                |
| 4-36        | Internal turning radius                                    | b <sub>13</sub>  | mm  | 800  |                                |
| PERFORMANCE | 5-1  | Travel speed with / without load                         |   | km/h | 18.6   19.2                    |
|             | 5-1-1  | Travel speed, laden/unladen, backwards                   |   | km/h | 18.6   19.2                    |
|             | 5-2  | Lifting speed with / without load                        |   | m/s  | 0.45   0.46                    |
|             | 5-3  | Lowering speed with / without load                       |   | m/s  | 0.51   0.42                    |
|             | 5-5  | Drawbar pull, laden/unladen (6)                          |   | N    | 27302   17976                  |
|             | 5-7  | Gradeability - 1.6 km/h, with / without load (7)         |   | %    | 21.7   24.8                    |
|             | 5-9  | Acceleration time, laden/unladen                         |   | s    | 5.6   4.5                      |
|             | 5-10   | Service brake  |   |      | Hydraulic                      |
|             | 7-5  | Fuel consumption according to VDI cycle                  |   | l/h  | 5.8                            |

## TRUCK DIMENSIONS





# MAST AND CAPACITY INFORMATION

## H5.5FT RATED CAPACITY KG@ 600-700 MM LOAD CENTRE

|                           | Maximum fork height<br>h <sub>3</sub> + s (mm) | Mast tilt (°) |     | Lowered height<br>h <sub>1</sub> (mm) | Extended height<br>h <sub>4</sub> (mm) |      | Free lift height<br>h <sub>2</sub> + s (m) | Superelastic tyres     |        |               |        | Radial tyres           |        |               |        |
|---------------------------|--|---------------|-----|---------------------------------------|--|------|--|------------------------|--------|---------------|--------|------------------------|--------|---------------|--------|
|                           |  | F             | B   |                                       | w/o LB                                 | w LB |  | Without sideshift (kg) |        | With ISS (kg) |        | Without sideshift (kg) |        | With ISS (kg) |        |
|                           |  |               |     |                                       |  |      |  | H5.5FT                 |        | H5.5FT        |        | H5.5FT                 |        | H5.5FT        |        |
|                           |  |               |     |                                       |  |      |  | 600 LC                 | 700 LC | 600 LC        | 700 LC | 600 LC                 | 700 LC | 600 LC        | 700 LC |
| 2-STAGE LIMITED FREE LIFT | 2800   | 6°            | 10° | 2215                                  | 3730                                   | 4065 | 160  | 5500                   | 5280   | 5500          | 5130   | 5500                   | 5280   | 5500          | 5130   |
|                           | 3400   | 6°            | 10° | 2515                                  | 4330                                   | 4665 | 160  | 5500                   | 5260   | 5500          | 5120   | 5500                   | 5260   | 5500          | 5120   |
|                           | 4000   | 6°            | 10° | 2815                                  | 4930                                   | 5265 | 160  | 5500                   | 5250   | 5500          | 5100   | 5500                   | 5250   | 5500          | 5100   |
|                           | 4700   | 6°            | 6°  | 3265                                  | 5630                                   | 5965 | 160  | 5380                   | 5110   | 5370          | 4970   | 5380*                  | 5110*  | 5370*         | 4960*  |
|                           | 5300   | 6°            | 6°  | 3665                                  | 6230                                   | 6565 | 160  | 5230                   | 4940   | 5190          | 4800   | 5220*                  | 4930*  | 5180*         | 4790*  |
| 2-STAGE FULL FREE LIFT    | 5900   | 6°            | 6°  | 4065                                  | 6830                                   | 7165 | 160  | 5050                   | 4750   | 5000          | 4620   | 5050**                 | 4750** | 4990**        | 4610** |
|                           | 2825   | 6°            | 10° | 2215                                  | 3810                                   | 4090 | 1230                                       | 5500                   | 5250   | 5500          | 5100   | 5500                   | 5250   | 5500          | 5100   |
| 3-STAGE FULL FREE LIFT    | 3425   | 6°            | 10° | 2515                                  | 4410                                   | 4690 | 1530                                       | 5500                   | 5230   | 5500          | 5080   | 5500                   | 5230   | 5500          | 5080   |
|                           | 4145   | 6°            | 6°  | 2215                                  | 5130                                   | 5415 | 1230                                       | 5500                   | 5210   | 5490          | 5070   | 5500                   | 5210   | 5490          | 5070   |
|                           | 5000   | 6°            | 6°  | 2515                                  | 5985                                   | 6265 | 1530                                       | 5290                   | 5000   | 5260          | 4860   | 5290*                  | 4990*  | 5260*         | 4860*  |
|                           | 5300   | 6°            | 6°  | 2615                                  | 6285                                   | 6565 | 1630                                       | 5210                   | 4920   | 5170          | 4780   | 5210**                 | 4910** | 5170**        | 4780** |

# RATED CAPACITIES

