

URW-295

(2.9t x 1.4m)

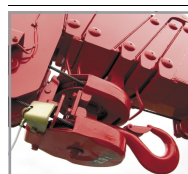
The UNIC 295 is **Europe's most widely used mini crawler crane**. It is narrow enough to allow access through a standard doorframe, but has almost 3 tonnes of lifting power. It leads the way technically with an array of safety features including a computer-controlled, intelligent voice warning system.



Crane Specifications

| | | |
|-------------------------------|---|--|
| Crane capacity | capacity: | 2.9t x 1.4m |
| Max working radius | max: | 8.41m |
| Max lifting height | approx: | 8.8m |
| Rope length | max: | 11.7m (4 fall), 23.4m (2 fall), 46.8m (1 fall) |
| Dimensions | folded: 2690mm (2905mm diesel & electrical dual) (l) x 600mm (w) x 1380mm (h) | |
| Weight | unladen: | 1850kg (1950kg with electric option, 1920kg with diesel option, 2090kg with diesel and electric dual option) |
| Point loadings | Due to the many variables involved, point loadings are only available on request | |
| Hook speed | approx: | 10m/min (with 4 layers and 4 falls) |
| Telescopic system | boom length: | 2.53 - 8.65m |
| | telescoping speed: | 6.12m/20 seconds |
| | boom type: | 5 section hydraulically telescoping boom, hexagonal box construction |
| Derricking angle/speed | approx: | 0 - 78°/11 seconds |
| Slewing angle/speed | approx: | 360° (continuous) 1.5min ⁻¹ (rpm) |
| Traction system | drive: | hydrostatic, step-less forward and reverse |
| | travel speed: | 0 - 2.3km/h |
| | gradability: | 20° |
| | track ground length: | 1050mm |
| | track ground pressure: | 48kPa (0.49kg/cm ²) |
| | track width: | 180mm |
| Engine | manufacturer: | Mitsubishi (Kubota diesel) |
| | fuel: | petrol (LPG dual, electric dual and diesel options) |
| | maximum output: | 9.6kW (13PS) / 2500min ⁻¹ (rpm) |
| | starting method: | electric and recoil start as standard |
| | tank capacity: | 6 litres |
| Electric motor | power: | 3.7kW |
| | voltage: | 400v AC 50/60Hz |
| Standard equipment | computer controlled moment limiter (safe load indicator), computer controlled intelligent voice warning system, overload warning lamps, radio remote control, intelligent throttle activation | |
| Optional equipment | 2 fall hook block, 1 fall hook block, LPG dual power, mains electric dual power (400v), diesel engine, low marking tracks, slew limitation | |

- Capacity 2.9t x 1.4m
- Total width 0.6m
- Max working radius 8.41m
- Max boom length 8.65m
- Petrol powered, optional LPG dual, electric dual and diesel
- Zero length increase with electric option (except diesel)
- Operator control of outrigger extension
- Radio remote control as standard
- Working area limitation
- Slew limitation (optional)
- Intelligent throttle activation for economy and ecology



Automatic hook stow



Anti two-block system



Full safe load indicator



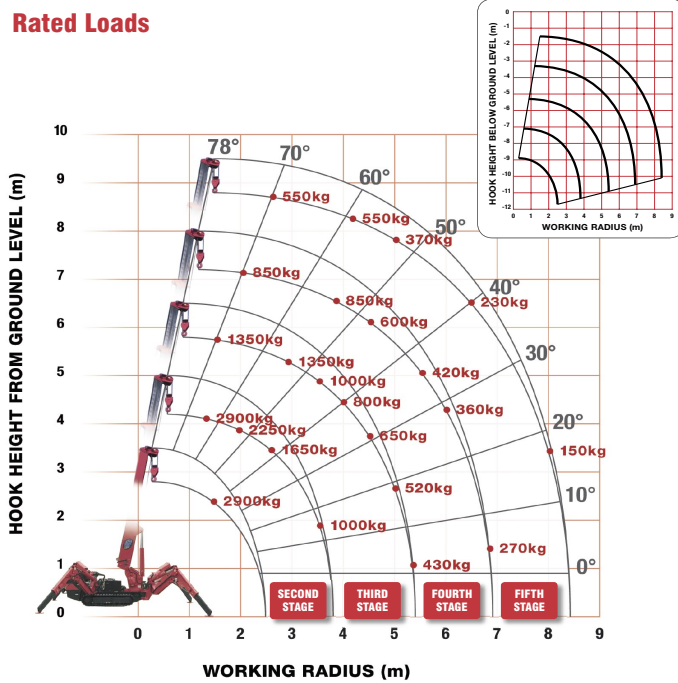
Overload warning lamps + auto stop + alarm



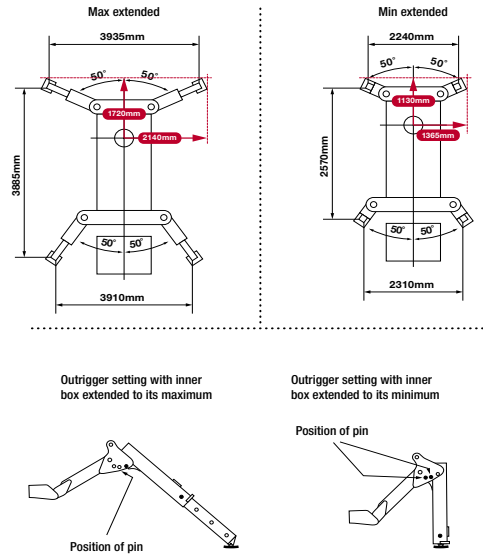
UNIC

CRANES EUROPE

Rated Loads



Outrigger Positions



SECOND STAGE

SECOND STAGE EXTENDED 2.53 - 4.075M BOOM LENGTH

| Working radius | m | up to 1.0 | 1.4 | 1.5 | 1.8 | 2.0 | 2.5 | 3.0 | 3.5 | 3.835 | |
|----------------|--------------|-----------|-------|-------|-------|-------|-------|-------|-------|-------|-----|
| Outrigger | Max-extended | kg | 2,900 | 2,900 | 2,650 | 2,250 | 2,050 | 1,650 | 1,300 | 1,000 | 900 |
| | Min-extended | kg | 2,000 | 2,000 | 2,000 | 1,450 | 1,100 | 650 | 490 | 350 | 250 |

THIRD STAGE

THIRD STAGE EXTENDED 4.075 - 5.61M BOOM LENGTH

| Working radius | m | up to 2.2 | 2.5 | 2.9 | 3.0 | 3.5 | 4.0 | 4.5 | 5.0 | 5.37 | |
|----------------|--------------|-----------|-------|-------|-------|-------|-------|-----|-----|------|-----|
| Outrigger | Max-extended | kg | 1,350 | 1,350 | 1,350 | 1,250 | 1,000 | 800 | 650 | 520 | 430 |
| | Min-extended | kg | 800 | 650 | 530 | 500 | 380 | 280 | 220 | 160 | 120 |

FOURTH STAGE

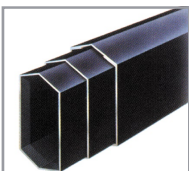
FOURTH STAGE EXTENDED 5.61 - 7.13M BOOM LENGTH

| Working radius | m | up to 3.3 | 3.8 | 4.0 | 4.5 | 5.0 | 5.5 | 6.0 | 6.5 | 6.89 | |
|----------------|--------------|-----------|-----|-----|-----|-----|-----|-----|-----|------|-----|
| Outrigger | Max-extended | kg | 850 | 850 | 750 | 600 | 500 | 420 | 360 | 320 | 270 |
| | Min-extended | kg | 420 | 340 | 300 | 250 | 190 | 140 | 100 | 80 | 60 |

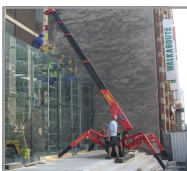
FIFTH STAGE

FIFTH STAGE EXTENDED 7.13 - 8.65M BOOM LENGTH

| Working radius | m | up to 3.8 | 4.1 | 4.5 | 5.0 | 5.5 | 6.0 | 6.5 | 7.0 | 8.0 | 8.41 | |
|----------------|--------------|-----------|-----|-----|-----|-----|-----|-----|-----|-----|------|-----|
| Outrigger | Max-extended | kg | 550 | 550 | 450 | 370 | 310 | 270 | 230 | 200 | 150 | 130 |
| | Min-extended | kg | 350 | 290 | 250 | 200 | 160 | 130 | 100 | 70 | 40 | 30 |



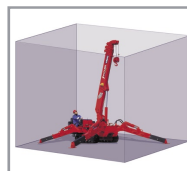
Hexagonal boom minimises sway



Level operation on uneven sites



Optional mains power



Working area limitation



Low marking tracks