



# Self-Propelled Articulating Booms

## Z™-33/18

### Specifications

Model	Z-33/18
-------	---------

Measurements	Metric
Working height maximum*	12 m
Platform height maximum	10 m
Horizontal reach maximum	5.57 m
Up and over clearance maximum	4.28 m
<b>A</b> Platform length	0.76 m
<b>B</b> Platform width	1.17 m
<b>C</b> Height - stowed	1.98 m
<b>D</b> Length - stowed	4.17 m
<b>E</b> Width	1.50 m
<b>A</b> Wheelbase	1.90 m
<b>A</b> Ground clearance - center	15.2 cm

### Productivity

Lift capacity	200 kg
Turntable rotation	
Turntable tailswing at counterweight	zero
Turntable tailswing - riser up	0.15 m
Turntable tailswing - riser down	1.16 m
Drive speed - stowed	5.2 km/h
Drive speed - raised retracted**	0.87 km/h
Drive speed - raised extended**	0.23 km/h
Gradeability - stowed***	
Turning radius - inside	1.9 m
Controls	
Tires (solid rubber, non-marking, treaded)	56x23x43 cm

### Power

Power source	48 V DC (eight 6 V X 8 batteries 350 Ah capacity)
Drive system	AC Drive, 48V 3 phase
Auxiliary power unit	24 V DC
Hydraulic tank capacity	20.8 L

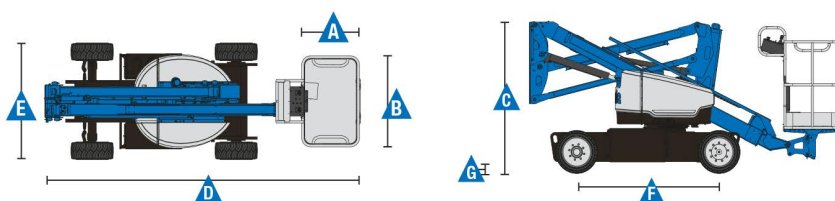
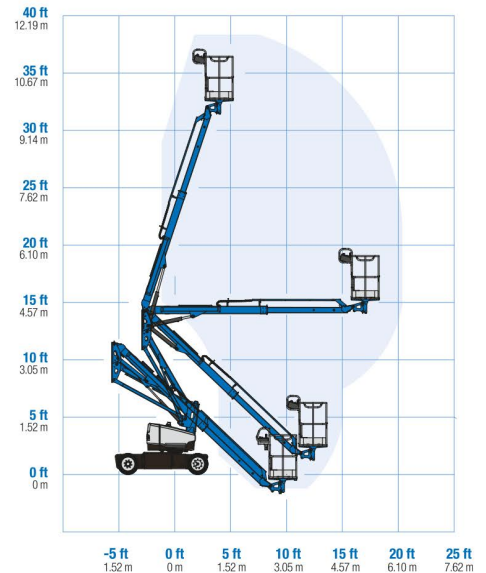
### Weight\*\*\*\*

	3,665 kg
--	----------

### Standards Compliance

ANSI A92.5, CSA B354.4, EN 280, AS 1418.10

### Range Of Motion Z-33/18



\* The metric equivalent of working height adds 2 m to platform height. U.S. adds 6 ft to platform height.  
 \*\* In lift mode (platform raised), the machine is designed to operate on firm, level surfaces only.  
 \*\*\* Gradeability applies to driving on slopes. See operator's manual for details regarding slope ratings.  
 \*\*\*\* Weight will vary depending on options and/or country standards.